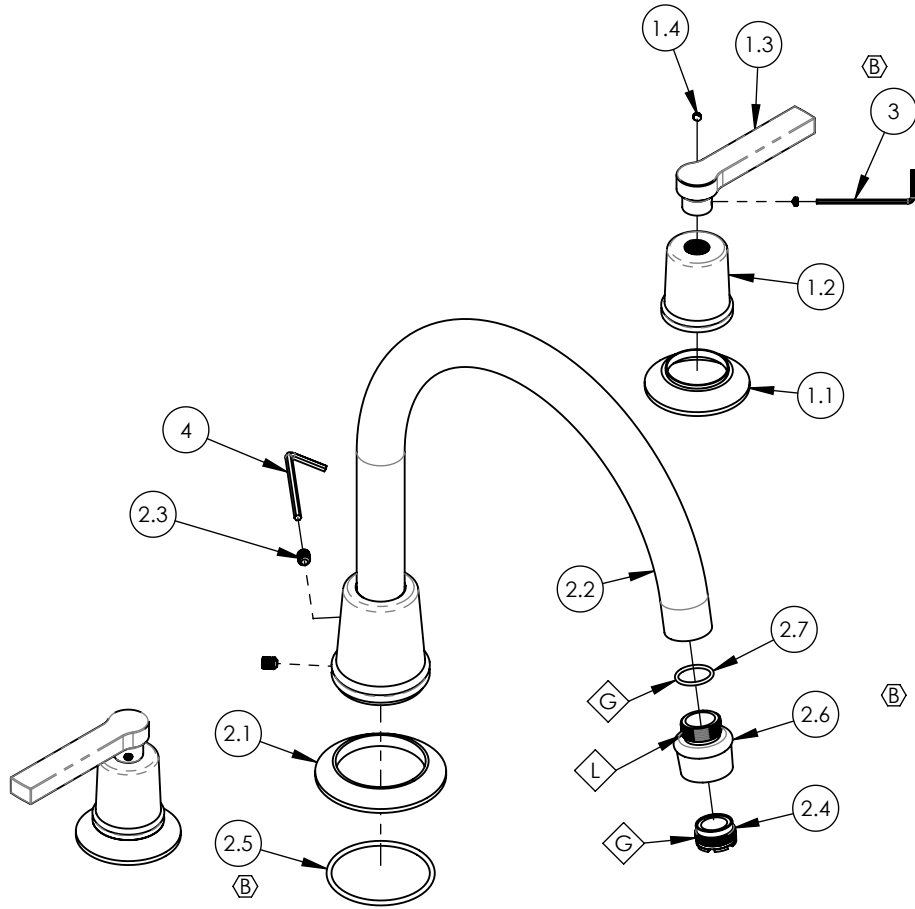


- NOTE(S):
1. PART NUMBER, "/00" DENOTES PART SHALL HAVE FINISH.
  2. APPLY NSF COMPLIANT GREASE TO ANY O-RING, SEALING JOINTS, AND/OR PIVOTAL POINTS.
  3. APPLY NSF COMPLIANT LOCTITE TO THREADED AREA.
  4. APPLY NSF COMPLIANT REMOVABLE (BLUE) LOCTITE TO THREADED AREA.
  5. SILVER SOLDER JOINTS SHALL BE FULLY WETTED VIA CAPILLARY ACTION AND COMPLETELY NON-POROUS.



ITEM NO.	PART NUMBER	DESCRIPTION	QTY.
1	3-133/00	LEVER HANDLE, HEX MODERN, 501 SERIES	2
1.1	10921/00	ESCUTCHEON, TRANSITIONAL	1
1.2	10922/00	HUB, FOR HEX TRANSITIONAL	1
1.3	11036/00	HANDLE LEVER, CONTEMPORARY 16PT	1
1.4	92163	SET SCREW, CUP PT 8-32 X 1/8" L	2
2	3-556/00	ASSY, DECK TUB, LARGE ARC SPOUT	1
2.1	11684/00	ESCUTCHEON RT, TRANS. HEX MODERN	1
2.2	2-281/00	ASSY, ARC SPOUT, ROMAN TUB, BRAZE, HEX MODERN	1
2.3	92127	SET SCREW, CUP PT, 1/4"-20 X 5/16" L, SS	2
2.4	P05024	AERATOR CACHE COIN SLOT, M21.5X1.0 FULL FLOW	1
2.5	90137	O-RING, 2-1/16" ID X 3/32" THK., AS-568-137	1
2.6	11674/00	AERATOR HOUSING, RT SPOUT, TRANS. HEX MODERN	1
2.7	90017	O-RING, 11/16" ID X 13/16" OD X 1/16" THK, AS-568-017	1
3	92021	HEX KEY 5/64, FOR 8-32 SET SCREW	1
4	92216	HEX L-KEY 1/8" HEX x 2-5/16" L	1

ZONE	REV.	DESCRIPTION	DATE	APPROVED
B4, B3	B	UPDATE HEX KEY, ADD O-RING & UPDATE AERATOR ASSY ON SPOUT	11/16/2021	AMM
REVISIONS				

1261 LOGAN AVENUE  
COSTA MESA, CALIFORNIA 92626  
PHONE: 714.361.4800  
FAX: 714.617.3120

**PHYL RICH**<sup>®</sup>  
Defining Luxury Since 1959

**PROPRIETARY AND CONFIDENTIAL**  
THE INFORMATION CONTAINED IN THIS DRAWING IS THE SOLE PROPERTY OF PHYL RICH. ANY REPRODUCTION IN PART OR AS A WHOLE WITHOUT THE WRITTEN PERMISSION OF PHYL RICH IS PROHIBITED.  
**DO NOT SCALE DRAWING**

DECK TUB SET, ARCH SPOUT W/ LEVER, HEX MODERN

SIZE <b>A</b>	ASM/PRT NO. 501-43/00	REV B
SCALE: 1:4	WEIGHT: lbs.	SHEET 1 OF 2

5

4

3

2

1

E

E

D

D

C

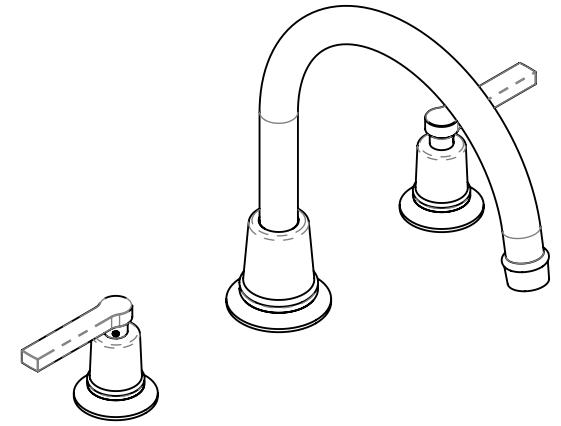
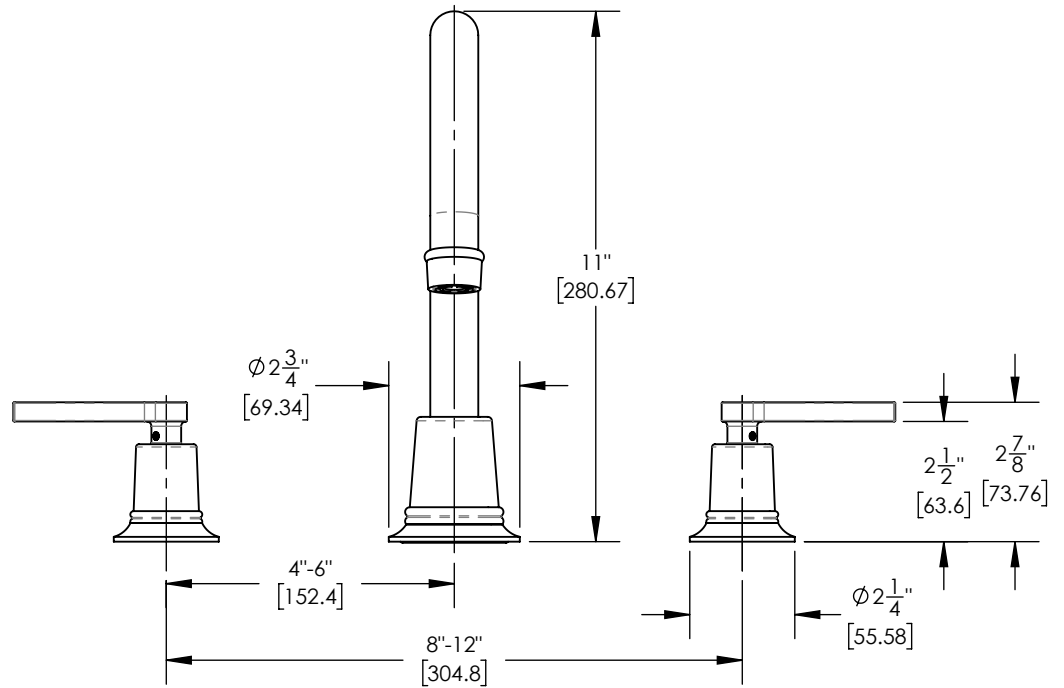
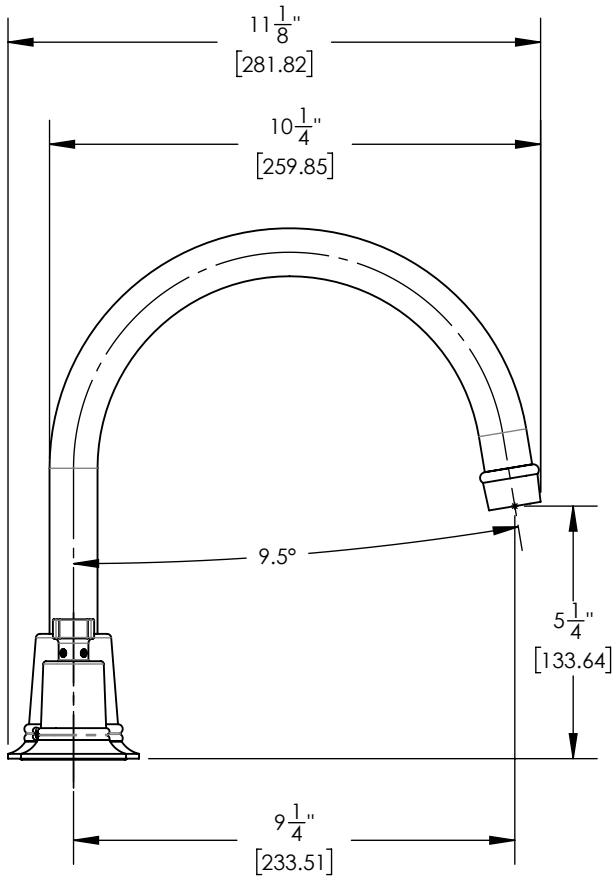
C

B

B

A

A



1261 LOGAN AVENUE  
 COSTA MESA, CALIFORNIA 92626  
 PHONE: 714.361.4800  
 FAX: 714.617.3120

**PHYLIRICH**<sup>®</sup>  
 Defining Luxury Since 1959

**PROPRIETARY AND CONFIDENTIAL**  
 THE INFORMATION CONTAINED IN THIS DRAWING IS THE SOLE PROPERTY OF PHYLIRICH. ANY REPRODUCTION IN PART OR AS A WHOLE WITHOUT THE WRITTEN PERMISSION OF PHYLIRICH IS PROHIBITED.  
**DO NOT SCALE DRAWING**

**DECK TUB SET, ARCH SPOUT W/ LEVER, HEX MODERN**

SIZE <b>A</b>	ASM/PRT NO. 501-43/00	REV B
SCALE: 1:4	WEIGHT: lbs.	SHEET 2 OF 2

5

4

3

2

1