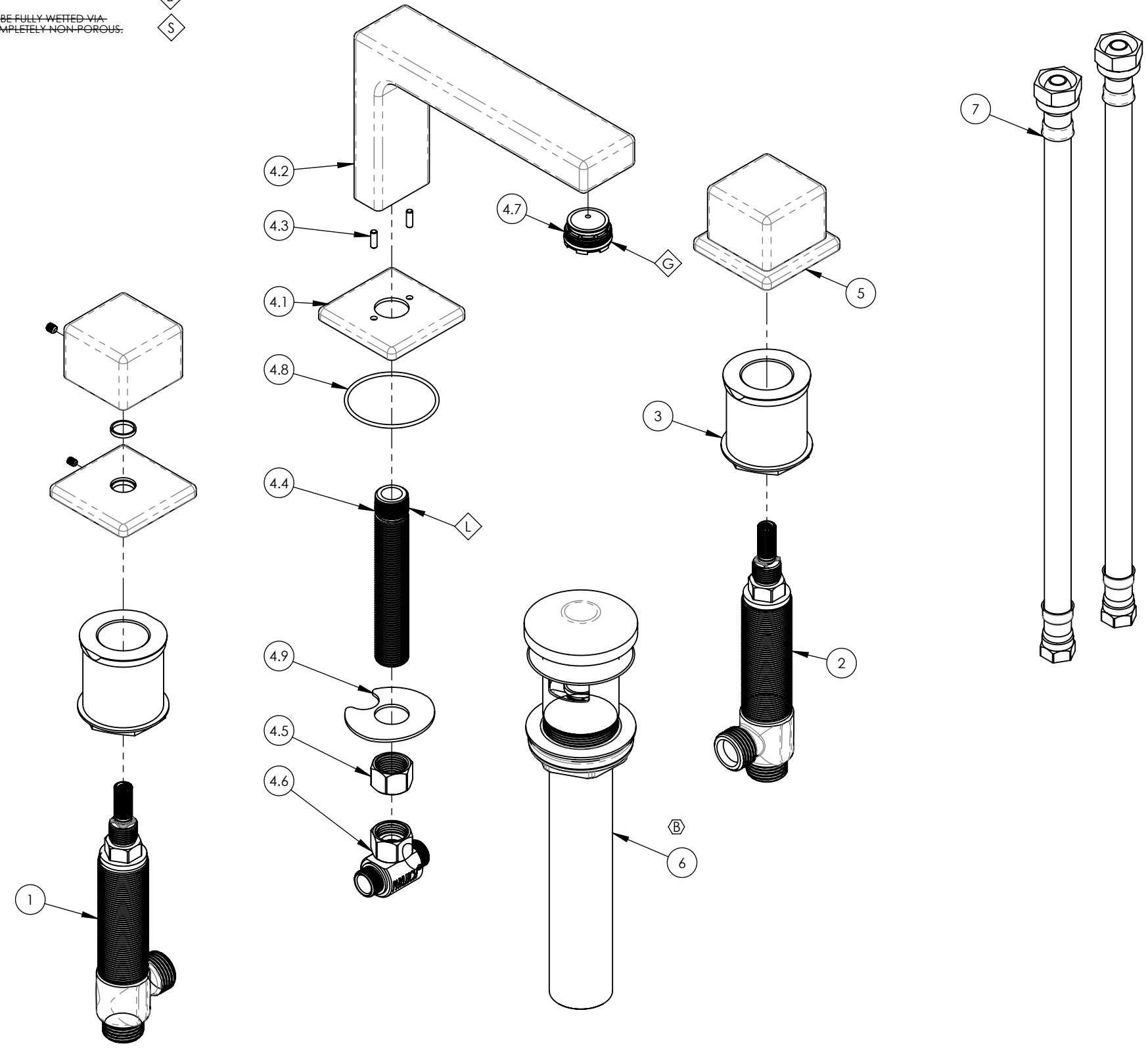


- NOTE(S):
- PART NUMBER, "/00" DENOTES PART SHALL HAVE FINISH.
  - APPLY NSF COMPLIANT GREASE TO ANY O-RING, SEALING JOINTS, AND/OR PIVOTAL POINTS.
  - APPLY NSF COMPLIANT LOCTITE TO THREADED AREA.
  - APPLY NSF COMPLIANT REMOVABLE (BLUE) LOCTITE TO THREADED AREA.
  - SILVER SOLDER JOINTS SHALL BE FULLY WETTED VIA CAPILLARY ACTION AND COMPLETELY NON-POROUS.

- ◇ G
- ◇ L
- ◇ B
- ◇ S



| ITEM NO. | PART NUMBER | DESCRIPTION  | QTY. |
|----------|-------------|--|------|
| 1        | 1-149       | WIDESPREAD VALVE LAV 16PT, HOT, ONLY                             | 1    |
| 2        | 1-150       | WIDESPREAD VALVE LAV 16PT, COLD, ONLY                            | 1    |
| 3        | 2-092       | RECESSED MOUNTING KIT FOR WIDESPREAD                             | 2    |
| 4        | 3-097/00    | ASSY, SPOUT WIDESPREAD LAV SOFT, LOW, MIX                        | 1    |
| 4.1      | 10933/00    | ESCUTCHEON, SPOUT LAV MIX SERIES                                 | 1    |
| 4.2      | 10944/00    | SPOUT, WIDESPREAD LAV LOW MIX                                    | 1    |
| 4.3      | 92158       | DOWEL PIN, 1/8" X 3/8"L  | 2    |
| 4.4      | 10745       | THREAD ALL, 3/8"-18 NPSL - 3/8"NPT                               | 1    |
| 4.5      | 10746       | NUT, 3/8"-18 NPSL  | 1    |
| 4.6      | 1-112       | TEE VALVE, 3/8" NPSM X 3/8" COMPRESSION                          | 1    |
| 4.7      | 11427       | AERATOR, CACHE REG, PINK 1.2 GPM, M24X1.0, NEOPERL # 40.2360.010 | 1    |
| 4.8      | 90031       | O-RING, 1-3/4"ID X 1/16"THK, AS-568-031                          | 1    |
| 4.9      | 92174       | WASHER MOUNT WIDESPREAD (3/8")                                   | 1    |
| 5        | 3-102/00    | ASSY, HANDLE CUBE MIX  | 2    |
| 6        | 3-545/00    | BRASS PUSH TYPE DRAIN, W/ OVERFLOW & SMALL PLUG                  | 1    |
| 7        | 10982       | HOSE, 3/8" COMP. X 1/2" NPSM - 12'L                              | 2    |

| ZONE      | REV. | DESCRIPTION         | DATE      | APPROVED |
|-----------|------|---------------------|-----------|----------|
| B5        | B    | UPDATE POP UP DRAIN | 6/15/2021 | AMM      |
| REVISIONS |      |                     |           |          |

1261 LOGAN AVENUE  
COSTA MESA, CALIFORNIA 92626  
PHONE: 714.361.4800  
FAX: 714.617.3120

**PHYLIRICH**<sup>®</sup>  
Defining Luxury Since 1959

**PROPRIETARY AND CONFIDENTIAL**  
THE INFORMATION CONTAINED IN THIS DRAWING IS THE SOLE PROPERTY OF PHYLIRICH. ANY REPRODUCTION IN PART OR AS A WHOLE WITHOUT THE WRITTEN PERMISSION OF PHYLIRICH IS PROHIBITED.  
**DO NOT SCALE DRAWING**

WIDESPREAD LAV, LOW SPOUT W/ CUBE, MIX

| SIZE         | ASM/PRT NO.  | REV          |
|--------------|--------------|--------------|
| <b>B</b>     | 290L-04/00   | <b>B</b>     |
| SCALE: 1:2.5 | WEIGHT: lbs. | SHEET 1 OF 2 |

8 7 6 5 4 3 2 1

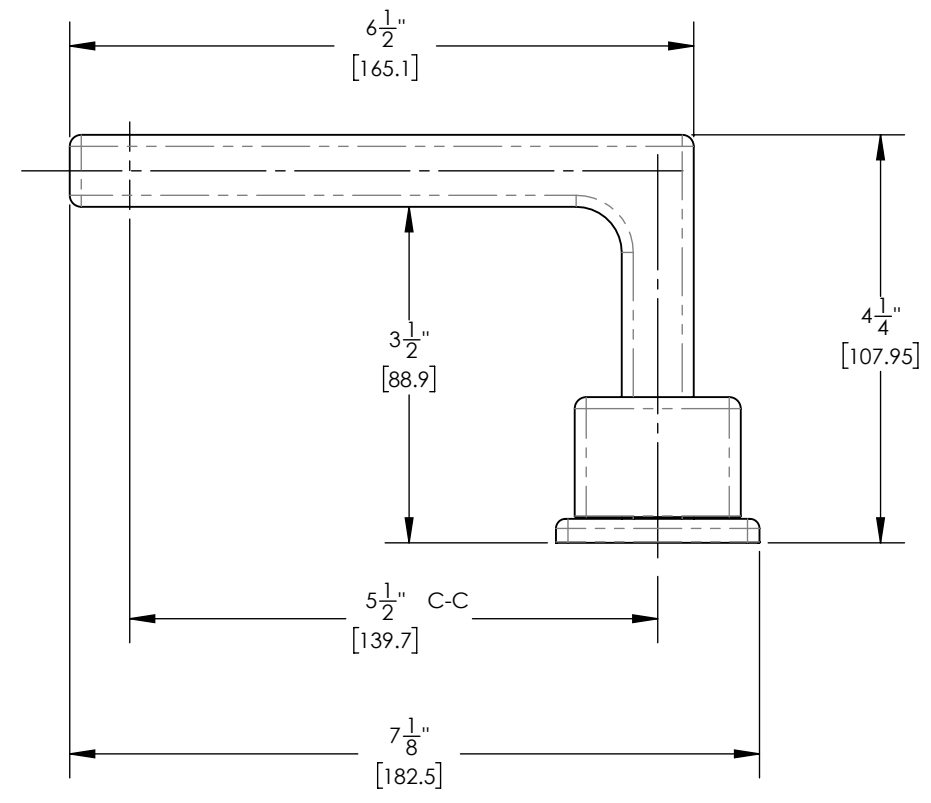
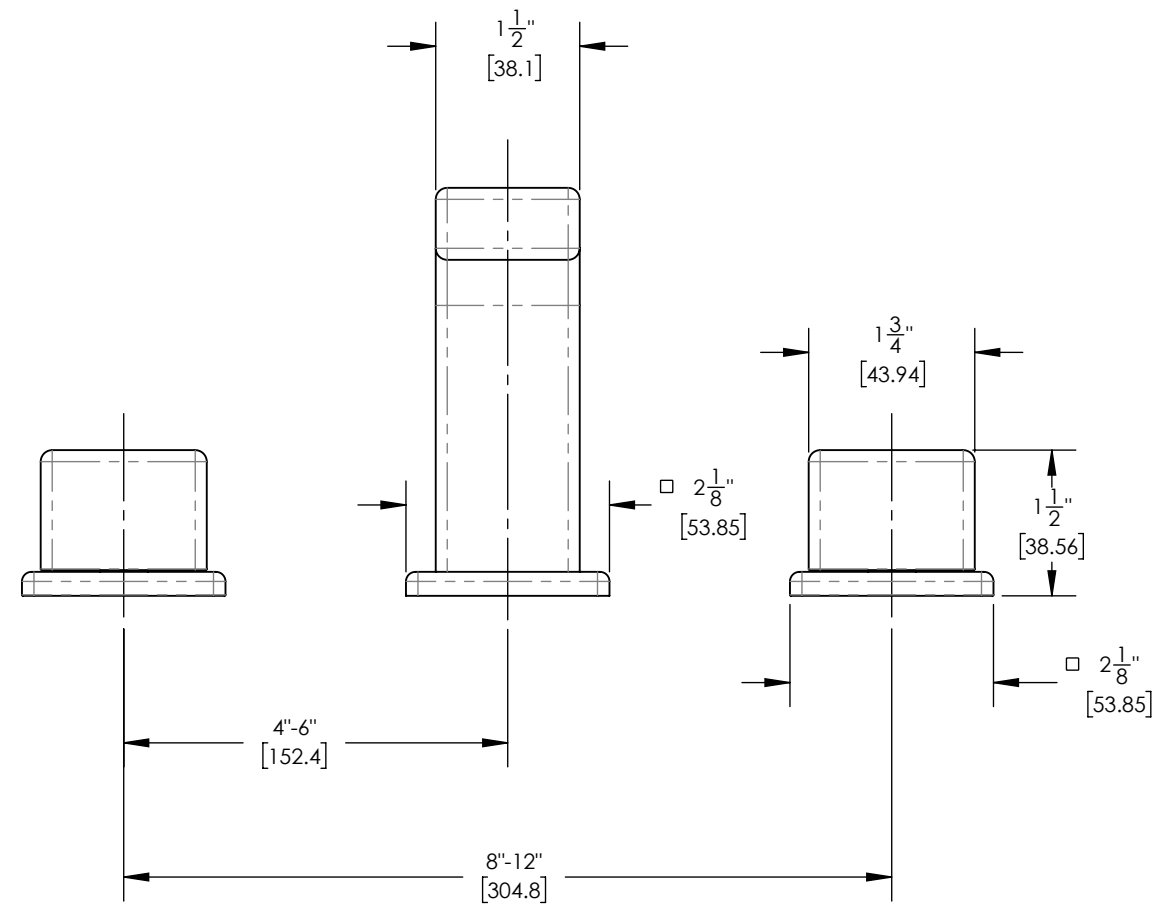
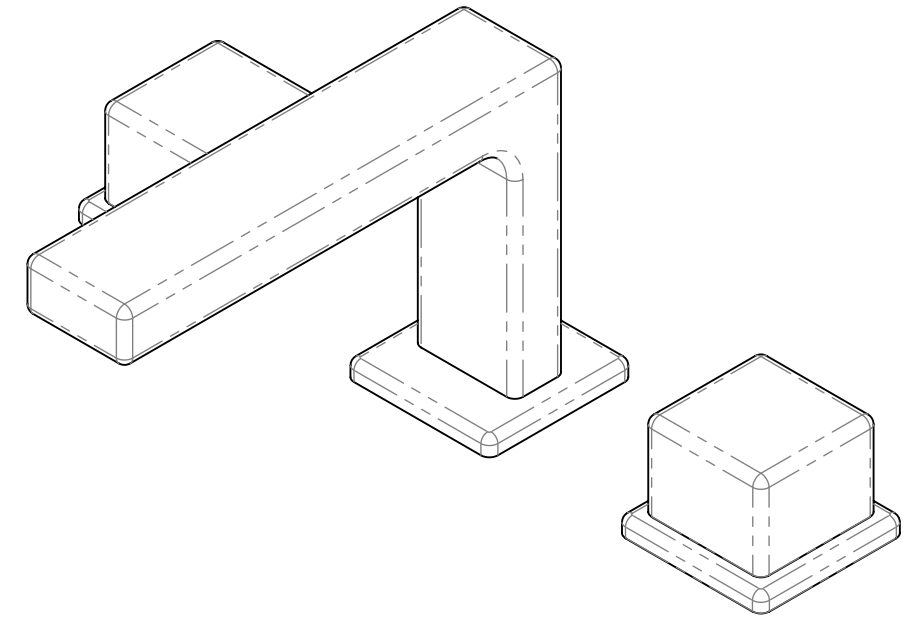
E

D

C

B

A



1261 LOGAN AVENUE  
COSTA MESA, CALIFORNIA 92626  
PHONE: 714.361.4800  
FAX: 714.617.3120

**PHYLIRICH**<sup>®</sup>  
Defining Luxury Since 1959

**PROPRIETARY AND CONFIDENTIAL**  
THE INFORMATION CONTAINED IN THIS DRAWING IS THE SOLE PROPERTY OF PHYLIRICH. ANY REPRODUCTION IN PART OR AS A WHOLE WITHOUT THE WRITTEN PERMISSION OF PHYLIRICH IS PROHIBITED.  
**DO NOT SCALE DRAWING**

WIDESPREAD LAV, LOW SPOUT W/ CUBE, MIX

|            |              |              |
|------------|--------------|--------------|
| SIZE       | ASM/PRT NO.  | REV          |
| <b>B</b>   | 290L-04/00   | <b>B</b>     |
| SCALE: 1:2 | WEIGHT: lbs. | SHEET 2 OF 2 |

8 7 6 5 4 3 2 1