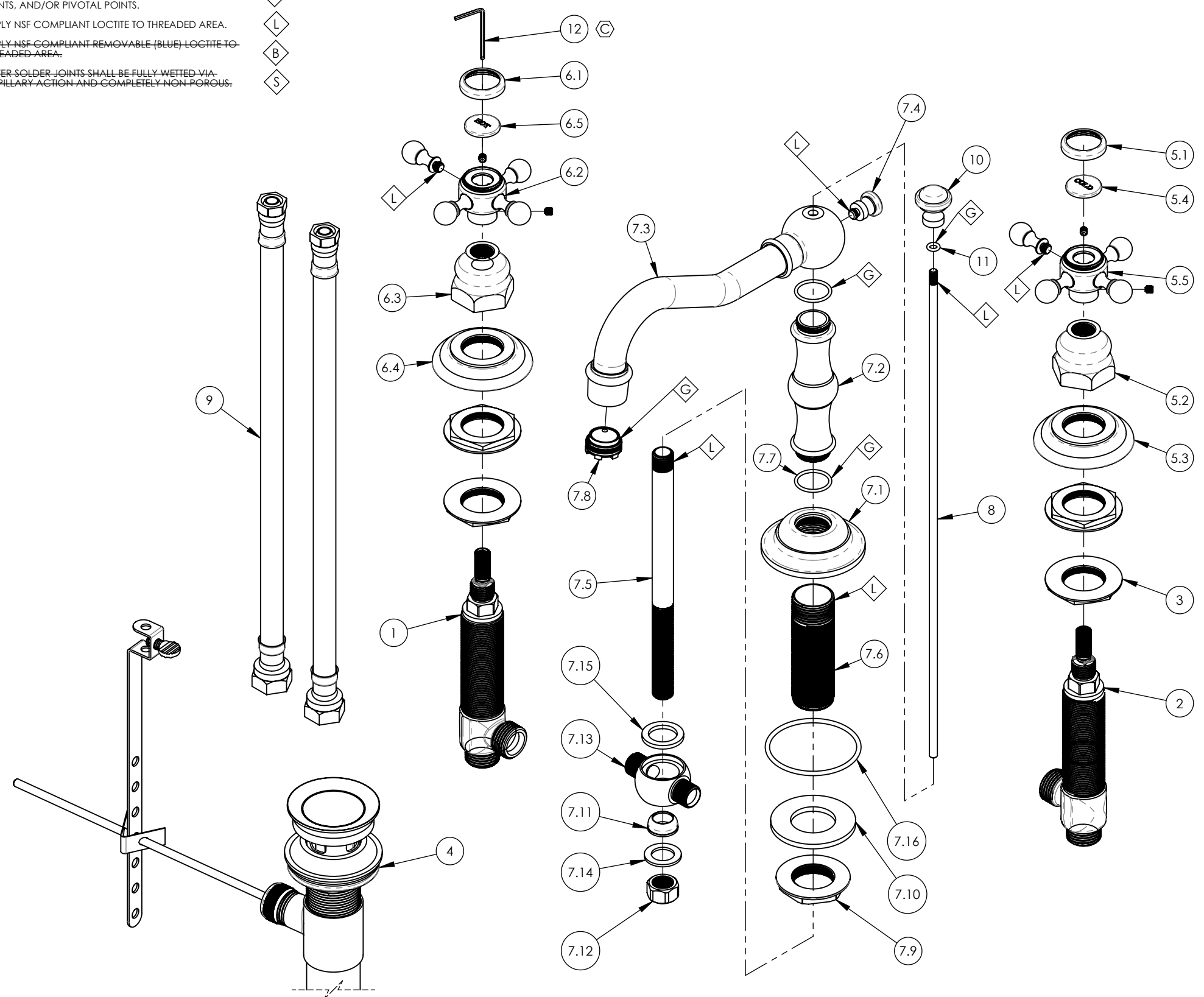


- NOTE(S):  
 1. PART NUMBER, "/00" DENOTES PART SHALL HAVE FINISH.  
 2. APPLY NSF COMPLIANT GREASE TO ANY O-RING, SEALING JOINTS, AND/OR PIVOTAL POINTS.  
 3. APPLY NSF COMPLIANT LOCTITE TO THREADED AREA.  
 4. APPLY NSF COMPLIANT REMOVABLE (BLUE) LOCTITE TO THREADED AREA.  
 5. SILVER SOLDER JOINTS SHALL BE FULLY WETTED VIA CAPILLARY ACTION AND COMPLETELY NON-POROUS.

- G
- L
- B
- S



ITEM NO.	PART NUMBER	DESCRIPTION	QTY.
1	1-149	WIDESPREAD VALVE LAV 16PT, HOT, ONLY	1
2	1-150	WIDESPREAD VALVE LAV 16PT, COLD, ONLY	1
3	2-203	MOUNTING NUT KIT, WIDESPREAD LAV	4
4	3-046/00	POP-UP DRAIN ASSEMBLY (2-101, 2-102, & 2-246)	1
5	3-141C/00	CROSS HANDLE, HEX TRADITIONAL, 500 SERIES	1
5.1	10538/00	CAP RING FOR 500 SERIES BUTTON	1
5.2	10621/00	BASE HUB NUT	1
5.3	10619/00	ESCUTCHEON, TRADITIONAL LAV 1"-20	1
5.4	11098	PLASTIC BUTTON, COLD	1
5.5	2-180/00	SUB ASSY. CROSS HANDLE HUB	1
6	3-141H/00	CROSS HANDLE, HEX TRADITIONAL, 500 SERIES	1
6.1	10538/00	CAP RING FOR 500 SERIES BUTTON	1
6.2	2-180/00	SUB ASSY. CROSS HANDLE HUB	1
6.3	10621/00	BASE HUB NUT	1
6.4	10619/00	ESCUTCHEON, TRADITIONAL LAV 1"-20	1
6.5	11099	PLASTIC BUTTON, HOT	1
7	3-324/00	SPOUT WIDESPREAD LAV, HENRI/MAISON SERIES	1
7.1	11148/00	ESCUTCHEON, BASE SPOUT RISER	1
7.2	11149/00	RISER FOR SPOUT, TRADITIONAL	1
7.3	2-040/00	SPOUT REACH BRAZED, HENRI SERIES	1
7.4	11152/00	FINIAL END BACK, TRADITIONAL	1
7.5	P33002	7" POP-UP GUIDE	1
7.6	P33008	LAV SPOUT NIPPLE	1
7.7	90018	O-RING, 3/4"ID X 1/16"THK, AS-568-018	2
7.8	11429	AERATOR CACHE JR, 1.2GPM, M21.5X1.0, 42.2260.450	1
7.9	92037	NUT, FLANGED 1"-20 THREAD	1
7.10	P35317	S.S. WASHER O.D 2" I.D 1" 1/16	1
7.11	954A	CONE WASHER	1
7.12	168B	NUT FOR 3-WAY TEE	1
7.13	2003NL	TEE VALVE FOR LAV WIDESPREAD	1
7.14	28A	BRASS WASHER	1
7.15	427	FIBER WASHER, 0.983" x 0.680" x 0.100" THK	1
7.16	90137	O-RING, 2-1/16"ID X 3/32"THK., AS-568-137	1
8	10719/00	POP-UP ROD, 10-24, 14" LONG	1
9	10982	HOSE, 3/8" COMP. X 1/2" NPSM - 12'L	2
10	11153/00	POP-UP KNOB, TRADITIONAL	1
11	90008	O-RING, 3/16"ID X 5/16"OD X 1/16"THK, AS-568-008	1
12	92021	HEX KEY 5/64, FOR 8-32 SET SCREW	1

E6	C	UPDATE HEX KEY PART #	4/20/2021	AMM
ZONE	REV.	DESCRIPTION	DATE	APPROVED
REVISIONS				

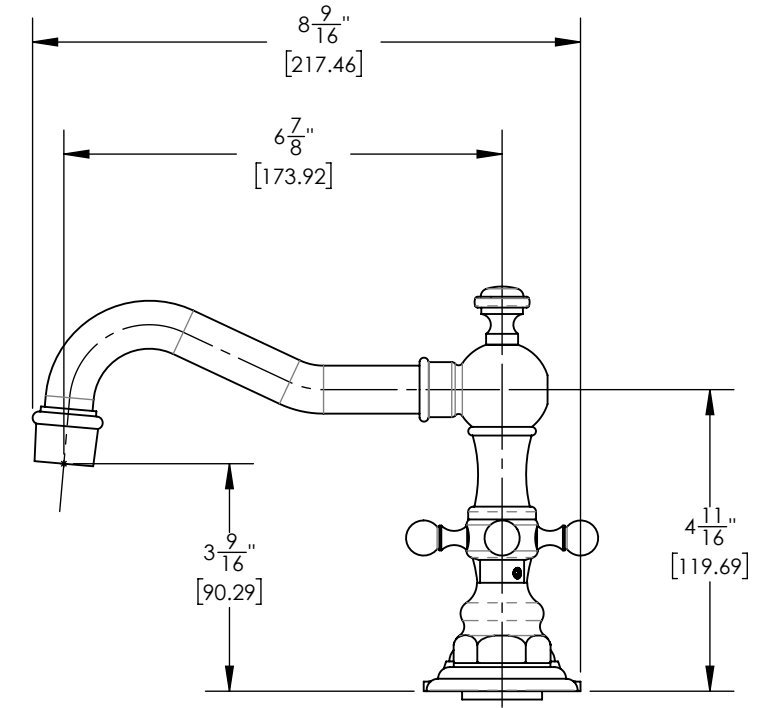
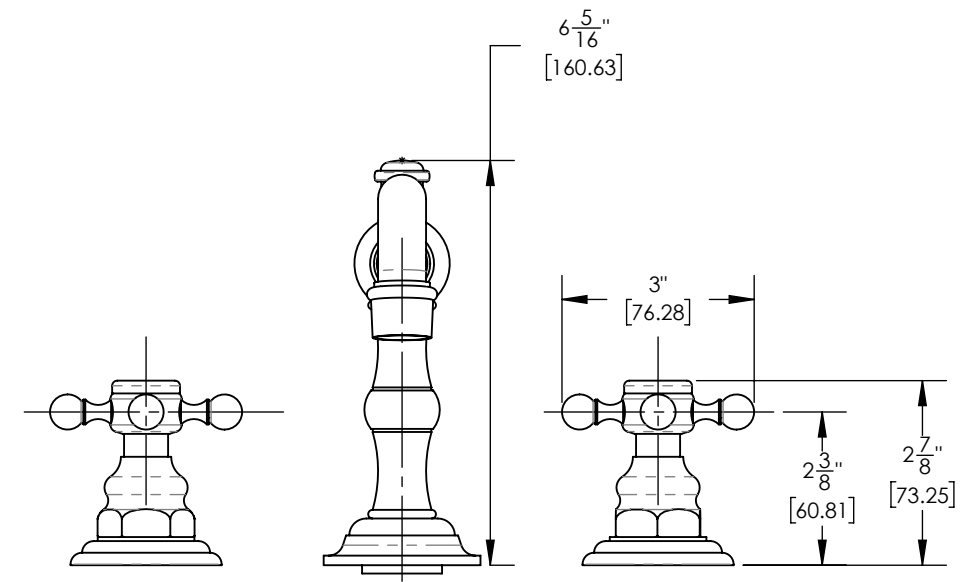
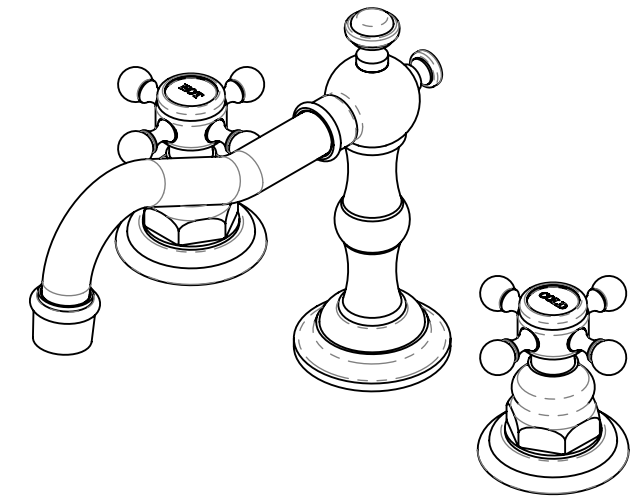
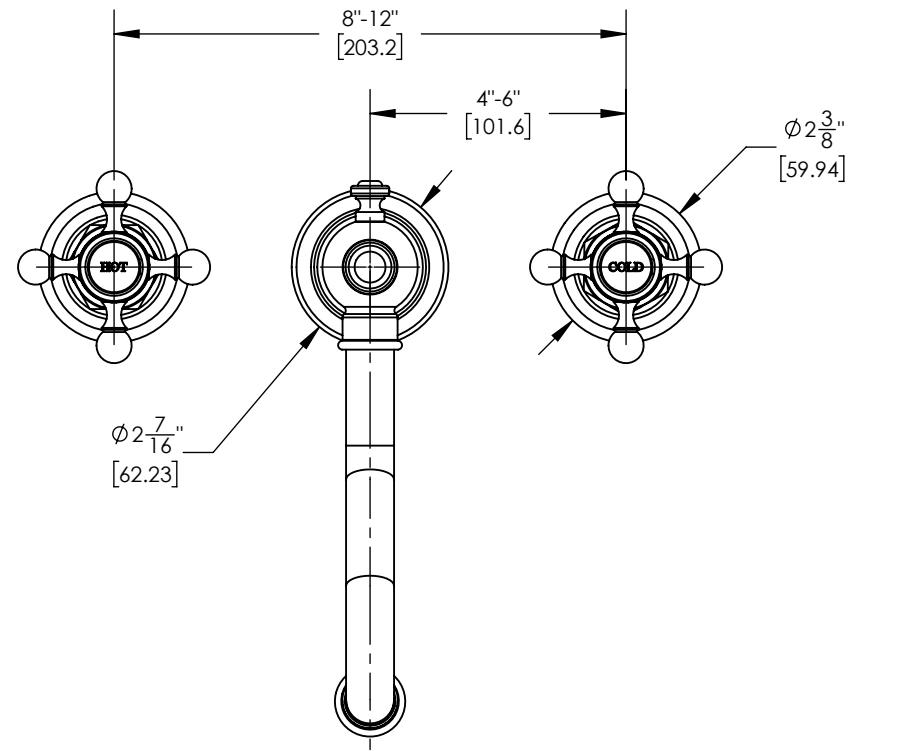
1261 LOGAN AVENUE  
 COSTA MESA, CALIFORNIA 92626  
 PHONE: 714.361.4800  
 FAX: 714.617.3120



**PROPRIETARY AND CONFIDENTIAL**  
 THE INFORMATION CONTAINED IN THIS DRAWING IS THE SOLE PROPERTY OF PHYLRICH. ANY REPRODUCTION IN PART OR AS A WHOLE WITHOUT THE WRITTEN PERMISSION OF PHYLRICH IS PROHIBITED.  
**DO NOT SCALE DRAWING**

**WIDESPREAD FAUCET, CROSS HANDLE, HENRI**

SIZE	ASM/PRT NO.	REV
<b>B</b>	161-01/00	<b>C</b>
SCALE: 1:2.75	WEIGHT: lbs.	SHEET 1 OF 2



1261 LOGAN AVENUE  
COSTA MESA, CALIFORNIA 92626  
PHONE: 714.361.4800  
FAX: 714.617.3120

**PHYLIRICH**<sup>®</sup>  
Defining Luxury Since 1959

**PROPRIETARY AND CONFIDENTIAL**  
THE INFORMATION CONTAINED IN THIS DRAWING IS THE SOLE PROPERTY OF PHYLIRICH. ANY REPRODUCTION IN PART OR AS A WHOLE WITHOUT THE WRITTEN PERMISSION OF PHYLIRICH IS PROHIBITED.  
**DO NOT SCALE DRAWING**

WIDESPREAD FAUCET, CROSS HANDLE,  
HENRI

SIZE	ASM/PRT NO.	REV
<b>B</b>	161-01/00	<b>C</b>
SCALE: 1:3	WEIGHT: lbs.	SHEET 2 OF 2